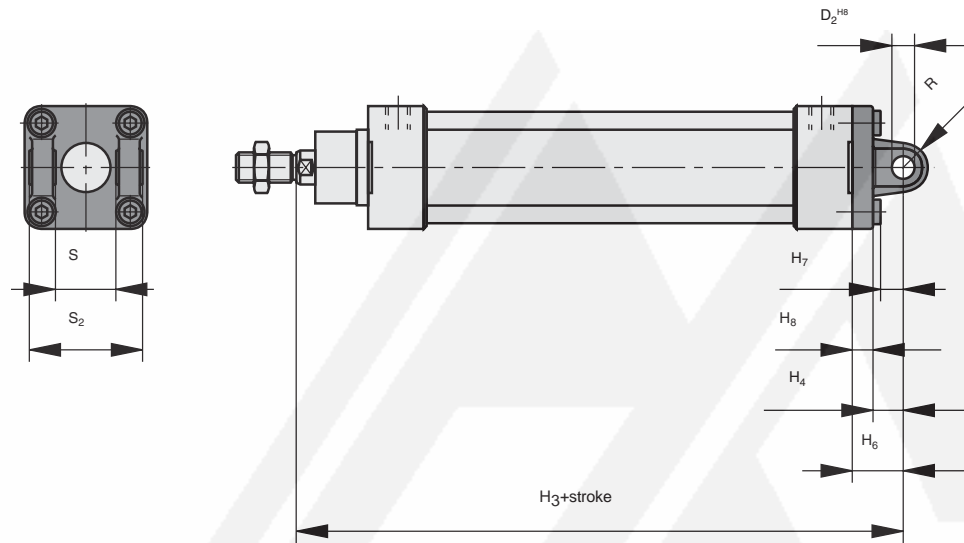


Dimensions for Mounting B



Material: diecast aluminium

Dimension Table (mm) for Mounting B

Cyl.- Ø	ØD H8	H_3+ stroke	H_4	H_6	H_7	H_8	R	S_1	S_2
32	10	142	12	22	11	10	9	26	45
40	12	160	15	25	14	10	11	28	52
50	12	170	16	27	15	11	12	32	60
63	16	190	21	32	20	11	15	40	70
80	16	210	22	36	21	14	16	50	90
100	20	230	25	41	24	16	20	60	110