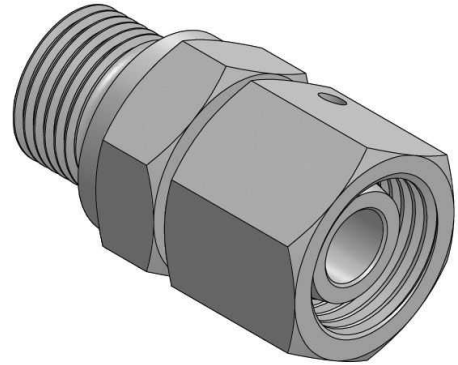
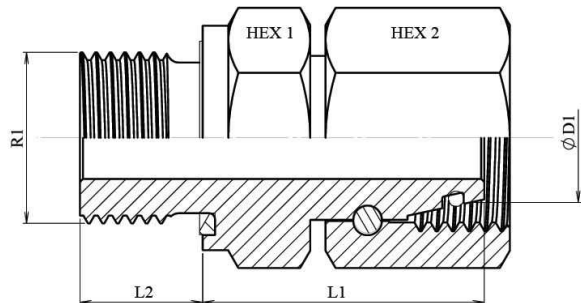


Tubo roscado recto BSP TLM con junta

Artículo	ØD1	Serie	R1	Presión trabajo (bar)	L1	L2	HEX 1	HEX 2
HC3411108LR02	6	L	1/8"BSP	500	24,5	8	14	14
HC3411108LR04	8	L	1/4"BSP	500	29,5	12	19	17
HC3411110LR04	10	L	1/4"BSP	500	27,5	12	19	19
HC3411112LR06	12	L	3/8"BSP	400	34	12	22	22
HC3411115LR08	15	L	1/2"BSP	400	32	14	27	27
HC3411118LR08	18	L	1/2"BSP	400	31,5	14	27	32
HC3411122LR12	22	L	3/4"BSP	250	32	16	32	36
HC3411128LR16	28	L	1"BSP	250	35	18	41	41
HC3411135LR20	35	L	1"1/4BSP	250	42,5	20	50	50
HC3411142LR24	42	L	1"1/2 BSP	250	46,5	22	55	60
HC3411106SR04	6	S	1/4"BSP	630	27	12	19	17
HC3411108SR04	8	S	1/4"BSP	630	29,5	12	19	19
HC3411110SR06	10	S	3/8"BSP	630	32	12	22	22
HC3411112SR06	12	S	3/8"BSP	630	32	12	22	24
HC3411114SR08	14	S	1/2"BSP	630	36,5	14	27	27
HC3411116SR08	16	S	1/2"BSP	420	37	14	27	30
HC3411120SR12	20	S	3/4"BSP	420	42,5	16	32	36
HC3411125SR16	25	S	1"BSP	420	47,5	18	41	46
HC3411130SR20	30	S	1"1/4BSP	420	51	20	50	50
HC3411138SR24	38	S	1"1/2BSP	315	59,5	22	55	60