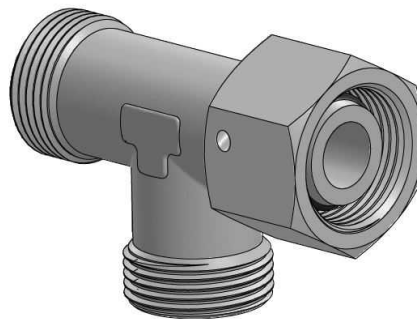
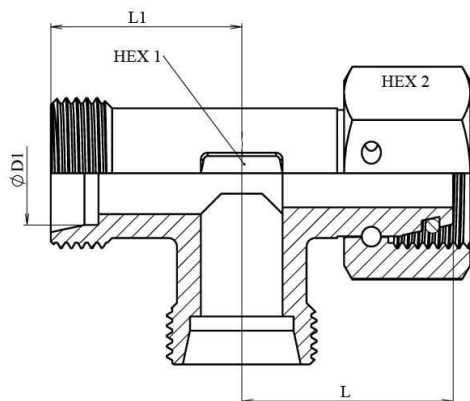


Racores DIN 2353 sin tuerca y anillo

Racores regulables STA

## Racor en L regulable con TLM (STA)



Artículo	ØD1	Serie	R1	Presión trabajo (bar)	L	L1	HEX 1	HEX 2
HC3414606LM12	6	L	M12X1.5	315	24	19	12	14
HC3414608LM14	8	L	M14X1.5	315	25,5	21	12	17
HC3414612LM16	10	L	M16X1.5	315	29	22	14	19
HC3414612LM18	12	L	M18X1.5	315	29,5	24	17	22
HC3414615LM22	15	L	M22X1.5	315	31	28	19	27
HC3414618LM26	18	L	M26X1.5	315	34	31	24	32
HC3414622LM30	22	L	M30X2	160	37,5	35	27	36
HC3414628LM36	28	L	M36X2	160	41,5	38	36	41
HC3414635LM45	35	L	M45X2	160	48	45	41	50
HC3414642LM52	42	L	M52X2	160	52	51	50	60
HC3414606SM14	6	S	M14X1.5	630	25	23	12	17
HC3414608SM16	8	S	M16X1.5	630	27	24	14	19
HC3414610SM18	10	S	M18X1.5	630	29	25	17	22
HC3414612SM20	12	S	M20X1.5	630	30	29	17	24
HC3414614SM22	14	S	M22X1.5	630	31	30	19	27
HC3414616SM24	16	S	M24X1.5	400	33,5	33	24	30
HC3414620SM30	20	S	M30X2	400	41,5	37	27	36
HC3414625SM36	25	S	M36X2	400	47	42	36	46
HC3414630SM42	30	S	M42X2	400	55	49	41	50
HC3414638SM52	38	S	M52X2	315	56,5	57	50	60