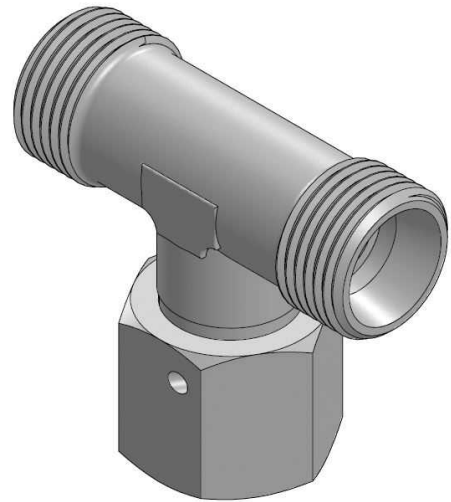
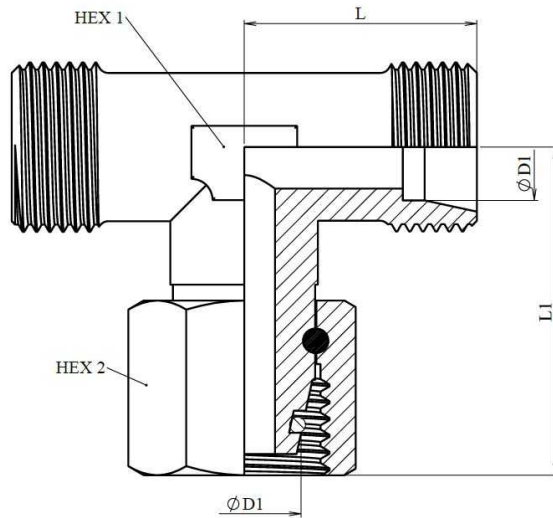


Racores DIN 2353 sin tuerca y anillo

Racores regulable

Racor en T tubo TL Métrica



Artículo	ØD1	Serie	Presión trabajo (bar)	L	L1	HEX 1	HEX 2
HC3415006LM12	6	L	500	19	24	12	14
HC3415008LM14	8	L	500	21	25,5	12	17
HC3415010LM16	10	L	500	22	29	14	19
HC3415012LM18	12	L	400	24	29,5	17	22
HC3415015LM22	15	L	400	28	31	19	27
HC3415018LM26	18	L	315	31	34	24	32
HC3415022LM30	22	L	250	35	37,5	27	36
HC3415028LM36	28	L	250	38	41,5	36	41
HC3415035LM45	35	L	250	45	48	41	50
HC3415042LM52	42	L	160	51	52	50	60
HC3415006SM14	6	S	630	23	25	12	17
HC3415008SM16	8	S	630	24	26	14	19
HC3415010SM18	10	S	630	25	29	17	22
HC3415012SM20	12	S	630	29	30	17	24
HC3415014SM22	14	S	630	30	31	19	27
HC3415016SM24	16	S	420	33	33,5	24	30
HC3415020SM30	20	S	420	37	41,5	27	36
HC3415025SM36	25	S	420	42	47	36	46
HC3415030SM42	30	S	420	49	55	41	50
HC3415038SM52	38	S	315	57	56,5	50	60