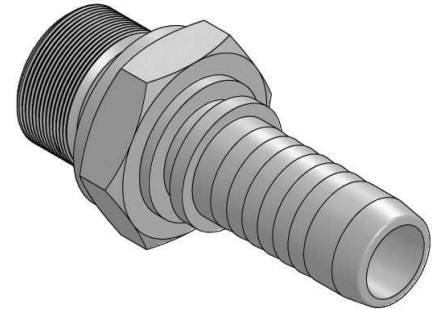
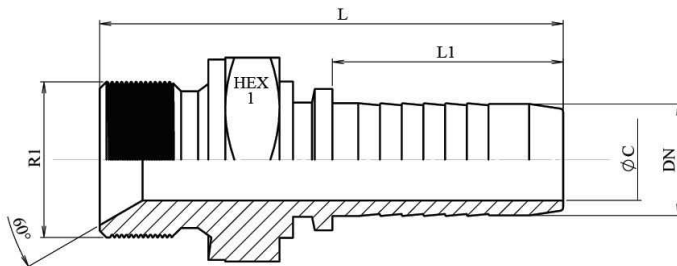


Macho rosca cilíndrica BSP cono 60°

Acero Carbono 1.0737 (o equivalente)



REFERENCIA	DN	R1	L	L1	HEX 1	ØC
HID2301000302	3/16"	1/8" BSP	42,5	24	14	3
HID2301000402	1/4"	1/8" BSP	47	28	14	4
HID2301000204	1/8"	1/4" BSP	45,5	22	19	2
HID2301000304	3/16"	1/4" BSP	47,5	24	19	3
HID2301000404	1/4"	1/4" BSP	52	28	19	4
HID2301000604	3/8"	1/4" BSP	54	29,5	19	7
HID2301000406	1/4"	3/8" BSP	55,5	28	22	4
HID2301000506	5/16"	3/8" BSP	55,8	28	22	5,5
HID2301000606	3/8"	3/8" BSP	57,5	29,5	22	7
HID2301000806	1/2"	3/8" BSP	59	30,5	22	9,5
HID2301000408	1/4"	1/2" BSP	61,5	28	27	4
HID2301000608	3/8"	1/2" BSP	60,5	29,5	27	7
HID2301000808	1/2"	1/2" BSP	62	30,5	27	9,5
HID2301000810	1/2"	5/8" BSP	62	30,5	27	9,5
HID2301001010	5/8"	5/8" BSP	68,3	34	30	12
HID2301000812	1/2"	3/4" BSP	64,5	30,5	32	9,5
HID2301001012	5/8"	3/4" BSP	68,3	34	32	12
HID2301001212	3/4"	3/4" BSP	74,5	39	32	15
HID2301001216	3/4"	1" BSP	79,5	39	41	15
HID2301001616	1"	1" BSP	87,5	47	41	19
HID2301001620	1"	1"1/4 BSP	89	47	50	19
HID2301002020	1"1/4	1"1/4 BSP	98	54,5	50	26
HID2301002424	1"1/2	1"1/2 BSP	104	58	55	32
HID2301003232	2"	2" BSP	124	72	70	44