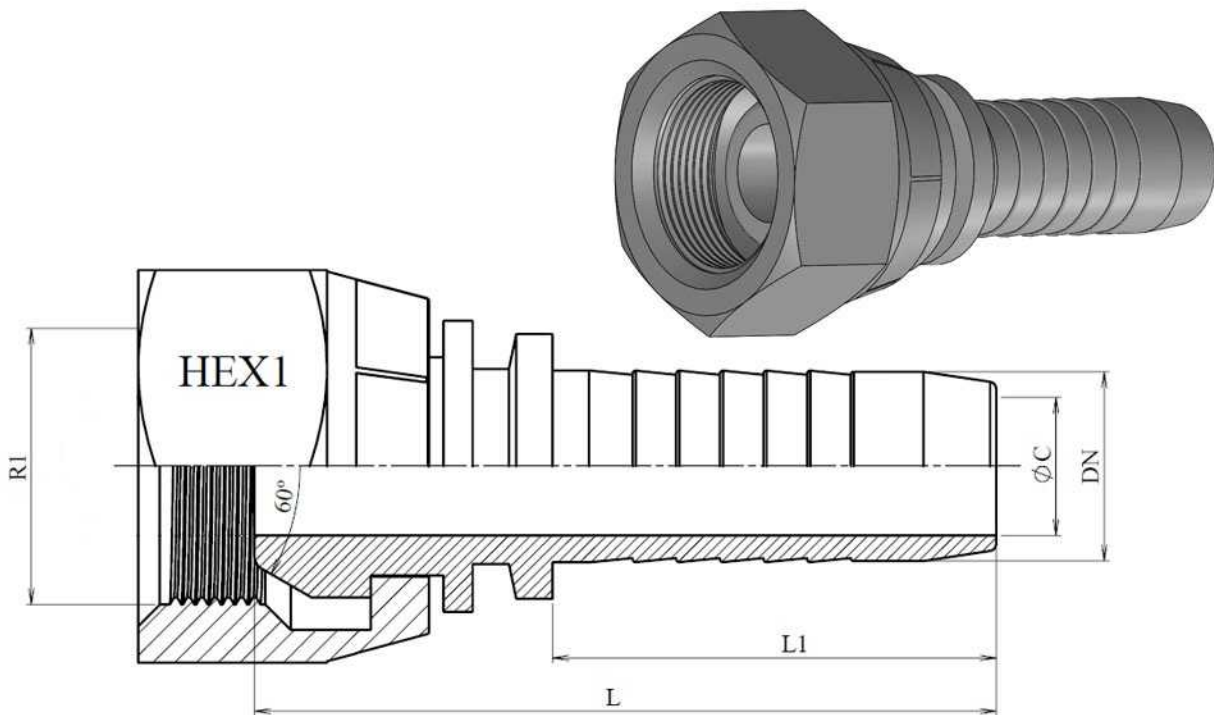


## Hembras giratorias rectas BSP cono 60°

Acero Carbono 1.0737 (o equivalente)



DN	R1	L	L1	HEX 1	ØC
1/8"	1/8" BSP	36	22	14	2
3/16"	1/8" BSP	38	24	14	3
1/4"	1/8" BSP	43,5	28	14	4
3/16"	1/4" BSP	39,5	24	19	3
1/4"	1/4" BSP	44	28	19	4
5/16"	1/4" BSP	44,3	28	19	5,5
3/8"	1/4" BSP	46	29,5	19	7
1/4"	3/8" BSP	45,5	28	22	4
5/16"	3/8" BSP	45,8	28	22	5,5
3/8"	3/8" BSP	47,5	29,5	22	7
1/2"	3/8" BSP	50,5	30,5	22	9,5
1/4"	1/2" BSP	47,5	28	27	4
3/8"	1/2" BSP	49,5	29,5	27	7
1/2"	1/2" BSP	51	30,5	27	9,5
5/8"	1/2" BSP	53,3	34	27	12
1/2"	5/8" BSP	51,5	30,5	30	9,5
5/8"	5/8" BSP	55,3	34	30	12
1/2"	3/4" BSP	54	30,5	32	9,5
5/8"	3/4" BSP	57,8	34	32	12
3/4"	3/4" BSP	64	39	32	15
3/4"	1" BSP	67	39	41	15
1"	1" BSP	75	47	41	19
2"	2" 1/2 BSP	110	72	84	44
2" 1/2	2" 1/2 BSP	117	81	84	55
3"	3" BSP	133	95	100	68