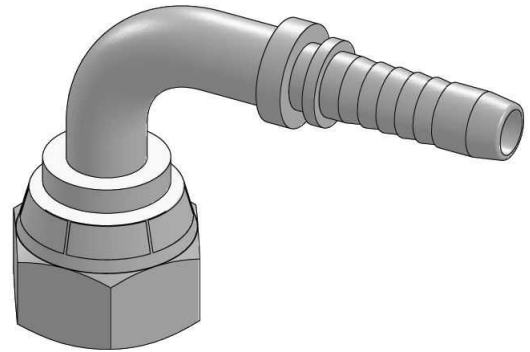
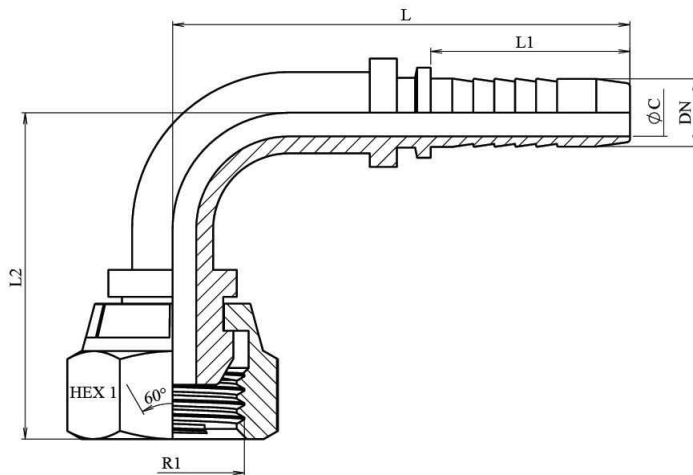


Hembras giratorias 90° BSP cono 60°

Acero Carbono 1.0737 (o equivalente)



Artículo	DN	R1	L	L1	L2	HEX 1	ØC
HID2330920302	3/16"	1/8" BSP	51	24	26	14	3
HID2330920402	1/4"	1/8" BSP	51	28	25,7	14	4
HID2330920304	3/16"	1/4" BSP	47	24	29	19	3
HID2330920404	1/4"	1/4" BSP	56	28	30	19	4
HID2330920406	1/4"	3/8" BSP	56	28	31	22	4
HID2330920506	5/16"	3/8" BSP	63	28	36	22	5,5
HID2330920606	3/8"	3/8" BSP	68	29,5	38	22	7
HID2330920408	1/4"	1/2" BSP	56	28	33	27	4
HID2330920608	3/8"	1/2" BSP	68	29,5	40	27	7
HID2330920808	1/2"	1/2" BSP	73	30,5	42	27	9,5
HID2330920810	1/2"	5/8" BSP	73	30,5	46	30	9,5
HID2330921010	5/8"	5/8" BSP	84	34	48	30	12
HID2330920812	1/2"	3/4" BSP	72,5	30,5	44	32	9,5
HID2330921012	5/8"	3/4" BSP	84	34	50	32	12
HID2330921212	3/4"	3/4" BSP	103	39	61	32	15
HID2330921216	3/4"	1" BSP	102,9	39	64,5	41	15
HID2330921616	1"	1" BSP	121	47	80	41	19