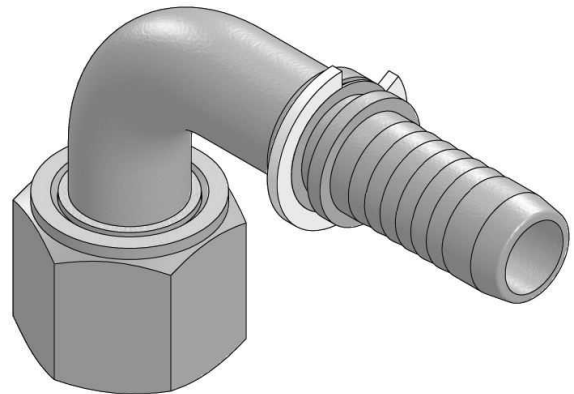
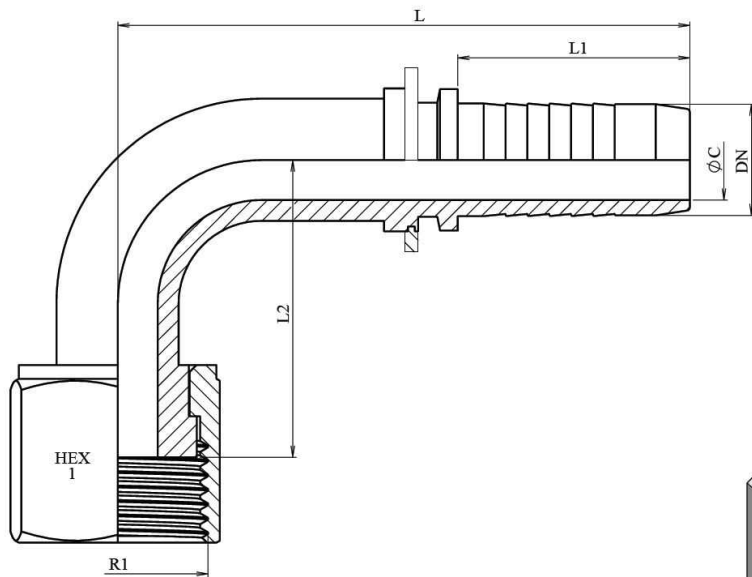


Hembra giratoria 90° ORFS asiento plano

Acero Carbono 1.0737 (o equivalente)



Artículo	DN	R1	L	L1	L2	HEX 1	ØC
HID2344940404	1/4"	9/16" 18h UNF	56	28	25	17	4
HID2344940406	1/4"	11/16" 16h UNF	56	28	27	22	4
HID2344940506	5/16"	11/16" 16h UNF	63	28	31	22	5,5
HID2344940606	3/8"	11/16" 16h UNF	68	29,5	34	22	7
HID2344940608	3/8"	13/16" 16h UNF	68	29,5	35	24	7
HID2344940808	1/2"	13/16" 16h UNF	73	30,5	37	24	9,5
HID2344940810	1/2"	1" 14h UNF	73	30,5	39	30	9,5
HID2344941010	5/8"	1" 14h UNF	84	34	44	30	12
HID2344940812	1/2"	1"3/16-12h UNF	73	30,5	40	36	9,5
HID2344941212	3/4"	1"3/16 12h UNF	104	39	56	36	15
HID2344941216	3/4"	1" 7/16 12h UNF	104	39	57	41	15
HID2344941616	1"	1"7/16 12h UNF	121	47	72	41	19
HID2344942020	1"1/4	1"11/16 12h UNF	146	54,5	87	50	26
HID2344942424	1"1/2	2" 12h UNF	163	58	92	60	32