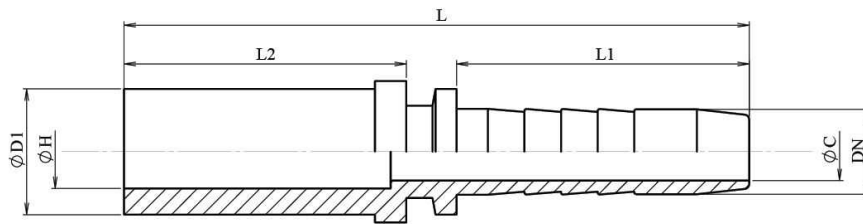
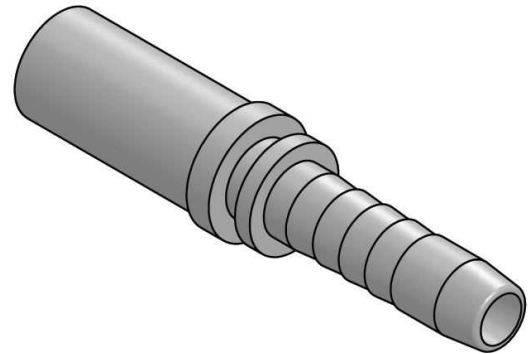


Espiga lisa recta Métrica

Acero Carbono 1.0737 (o equivalente)



| Artículo | DN | ØD1 | L | L1 | L2 | ØC | ØH |
|---------------|-------|-----|-------|------|----|-----|-----|
| HID2360000206 | 1/8" | 6 | 51 | 22 | 23 | 2 | 4 |
| HID2360000306 | 3/16" | 6 | 51,5 | 24 | 22 | 3 | 4 |
| HID2360000406 | 1/4" | 6 | 57,5 | 28 | 22 | 4 | 3 |
| HID2360000308 | 3/16" | 8 | 53 | 24 | 22 | 3 | 4 |
| HID2360000408 | 1/4" | 8 | 57,5 | 28 | 22 | 4 | 4 |
| HID2360000508 | 5/16" | 8 | 60,8 | 28 | 25 | 5,5 | 4 |
| HID2360000510 | 5/16" | 10 | 60,8 | 28 | 25 | 5,5 | 5,5 |
| HID2360000610 | 3/8" | 10 | 61,5 | 29,5 | 24 | 7 | 5,5 |
| HID2360000612 | 3/8" | 12 | 61,5 | 29,5 | 24 | 7 | 7 |
| HID2360000812 | 1/2" | 12 | 64 | 30,5 | 25 | 9,5 | 8 |
| HID2360000615 | 3/8" | 15 | 62 | 29,5 | 25 | 7 | 10 |
| HID2360000815 | 1/2" | 15 | 66 | 30,5 | 27 | 9,5 | 9,5 |
| HID2360000818 | 1/2" | 18 | 67 | 30,5 | 28 | 9,5 | 13 |
| HID2360001018 | 5/8" | 18 | 70,8 | 34 | 28 | 12 | 12 |
| HID2360001222 | 3/4" | 22 | 82 | 39 | 33 | 15 | 15 |
| HID2360001628 | 1" | 28 | 93 | 47 | 36 | 19 | 19 |
| HID2360002035 | 1"1/4 | 35 | 109 | 54,5 | 43 | 26 | 26 |
| HID2360002442 | 1"1/2 | 42 | 112,5 | 58 | 43 | 32 | 32 |
| HID2360000410 | 1/4" | 10 | 60,5 | 28 | 25 | 4 | 5 |
| HID2360000412 | 1/4" | 12 | 59,5 | 28 | 24 | 4 | 7 |
| HID2360000512 | 5/16" | 12 | 59,8 | 28 | 24 | 5,5 | 7 |
| HID2360000614 | 3/8" | 14 | 67,5 | 29,5 | 30 | 7 | 9 |
| HID2360000814 | 1/2" | 14 | 69 | 30,5 | 30 | 9,5 | 9,5 |
| HID2360000816 | 1/2" | 16 | 71 | 30,5 | 32 | 9,5 | 9,5 |

Conexiones Serie Standard

Conexiones Métricas DIN 2353

Espiga lisa recta Métrica

Acero Carbono 1.0737 (o equivalente)



| Artículo | DN | ØD1 | L | L1 | L2 | ØC | ØH |
|----------------------|------|-----|----|----|----|----|----|
| HID2360001220 | 3/4" | 20 | 85 | 39 | 36 | 15 | 15 |
| HID2360001625 | 1" | 25 | 93 | 47 | 36 | 19 | 19 |
| HID2360001630 | 1" | 30 | 95 | 47 | 38 | 19 | 19 |