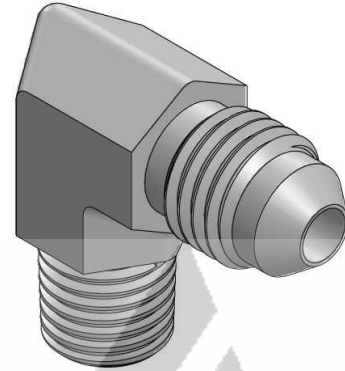
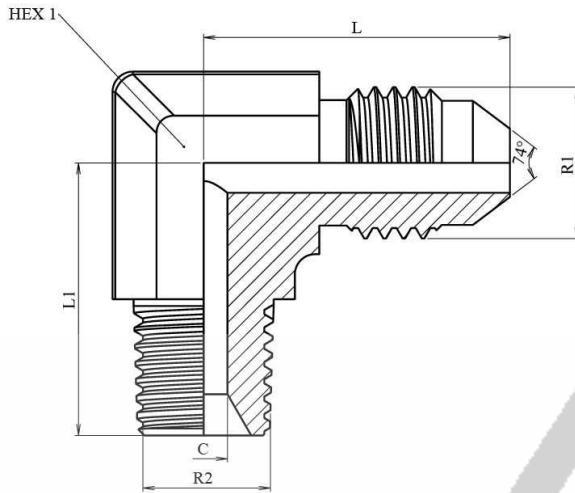


Racores JIC 37°

Codos JIC 37°

Codo 90° macho JIC 37° - macho NPT

Acero Carbono



| Artículo | ØD1 | ØD2 | R1 | R2 | L | L1 | HEX 1 | ØC |
|--------------|----------|-------|----------------|------------|------|----|-------|------|
| HID355250402 | 6 | 1/4 | 7/16" 20h UNF | 1/8" NPT | 22,5 | 20 | 12 | 3,5 |
| HID355250404 | 6 | 1/4 | 7/16" 20h UNF | 1/4" NPT | 26,5 | 27 | 14 | 6 |
| HID355250502 | 8 | 5/16 | 1/2" 20h UNF | 1/8" NPT | 26,5 | 20 | 14 | 6 |
| HID355250504 | 8 | 5/16 | 1/2" 20h UNF | 1/4" NPT | 26,5 | 27 | 14 | 6 |
| HID355250604 | 10 | 3/8 | 9/16" 18h UNF | 1/4" NPT | 27 | 27 | 14 | 6 |
| HID355250606 | 10 | 3/8 | 9/16" 18h UNF | 3/8" NPT | 27 | 31 | 19 | 6 |
| HID355250608 | 10 | 3/8 | 9/16" 18h UNF | 1/2" NPT | 31 | 37 | 22 | 6 |
| HID355250804 | 12 | 1/2 | 3/4" 16h UNF | 1/4" NPT | 32 | 27 | 19 | 9,5 |
| HID355250806 | 12 | 1/2 | 3/4" 16h UNF | 3/8" NPT | 32 | 31 | 19 | 10,3 |
| HID355250808 | 12 | 1/2 | 3/4" 16h UNF | 1/2" NPT | 32 | 37 | 22 | 9,5 |
| HID355251006 | 14-15-16 | 5/8 | 7/8" 14h UNF | 3/8" NPT | 39 | 31 | 24 | 12,3 |
| HID355251008 | 14-15-16 | 5/8 | 7/8" 14h UNF | 1/2" NPT | 39 | 37 | 24 | 12,3 |
| HID355251012 | 14-15-16 | 5/8 | 7/8" 14h UNF | 3/4" NPT | 39 | 40 | 27 | 12,3 |
| HID355251208 | 18-20 | 3/4 | 1"1/16 12h UNF | 1/2" NPT | 42 | 37 | 27 | 15,5 |
| HID355251212 | 18-20 | 3/4 | 1"1/16 12h UNF | 3/4" NPT | 42 | 40 | 27 | 15,5 |
| HID355251612 | 25 | 1 | 1"5/16 12h UNF | 3/4" NPT | 50 | 45 | 36 | 23,2 |
| HID355251616 | 25 | 1 | 1"5/16 12h UNF | 1" NPT | 50 | 50 | 36 | 23,2 |
| HID355252016 | 30-32 | 1 1/4 | 1"5/8 12h UNF | 1" NPT | 52,5 | 55 | 46 | 29 |
| HID355252020 | 30-32 | 1 1/4 | 1"5/8 12h UNF | 1" 1/4 NPT | 52,5 | 56 | 46 | 29 |
| HID355252424 | 38 | 1 1/2 | 1"7/8 12h UNF | 1"1/2 NPT | 59 | 67 | 50 | 33,5 |

El material puede ser suministrado con hexágonos metricos