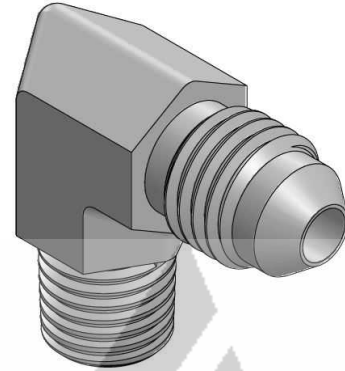
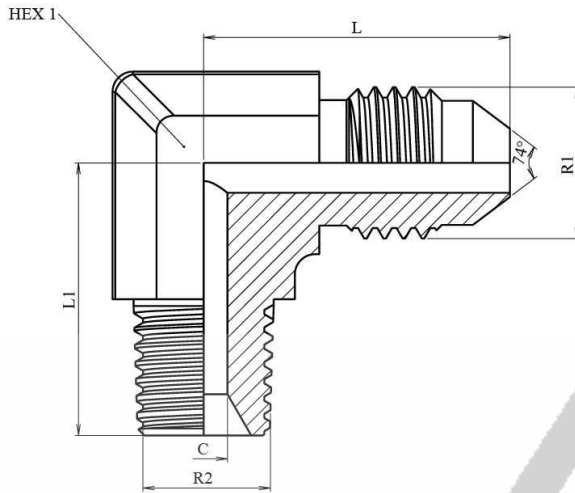


Racores JIC 37°

Codos JIC 37°

Codo 90° macho JIC 37° - macho NPT

Acero Carbono



Artículo	ØD1	ØD2	R1	R2	L	L1	HEX 1	ØC
HID355250402	6	1/4	7/16" 20h UNF	1/8" NPT	22,5	20	12	3,5
HID355250404	6	1/4	7/16" 20h UNF	1/4" NPT	26,5	27	14	6
HID355250502	8	5/16	1/2" 20h UNF	1/8" NPT	26,5	20	14	6
HID355250504	8	5/16	1/2" 20h UNF	1/4" NPT	26,5	27	14	6
HID355250604	10	3/8	9/16" 18h UNF	1/4" NPT	27	27	14	6
HID355250606	10	3/8	9/16" 18h UNF	3/8" NPT	27	31	19	6
HID355250608	10	3/8	9/16" 18h UNF	1/2" NPT	31	37	22	6
HID355250804	12	1/2	3/4" 16h UNF	1/4" NPT	32	27	19	9,5
HID355250806	12	1/2	3/4" 16h UNF	3/8" NPT	32	31	19	10,3
HID355250808	12	1/2	3/4" 16h UNF	1/2" NPT	32	37	22	9,5
HID355251006	14-15-16	5/8	7/8" 14h UNF	3/8" NPT	39	31	24	12,3
HID355251008	14-15-16	5/8	7/8" 14h UNF	1/2" NPT	39	37	24	12,3
HID355251012	14-15-16	5/8	7/8" 14h UNF	3/4" NPT	39	40	27	12,3
HID355251208	18-20	3/4	1"1/16 12h UNF	1/2" NPT	42	37	27	15,5
HID355251212	18-20	3/4	1"1/16 12h UNF	3/4" NPT	42	40	27	15,5
HID355251612	25	1	1"5/16 12h UNF	3/4" NPT	50	45	36	23,2
HID355251616	25	1	1"5/16 12h UNF	1" NPT	50	50	36	23,2
HID355252016	30-32	1 1/4	1"5/8 12h UNF	1" NPT	52,5	55	46	29
HID355252020	30-32	1 1/4	1"5/8 12h UNF	1" 1/4 NPT	52,5	56	46	29
HID355252424	38	1 1/2	1"7/8 12h UNF	1"1/2 NPT	59	67	50	33,5

El material puede ser suministrado con hexágonos metricos