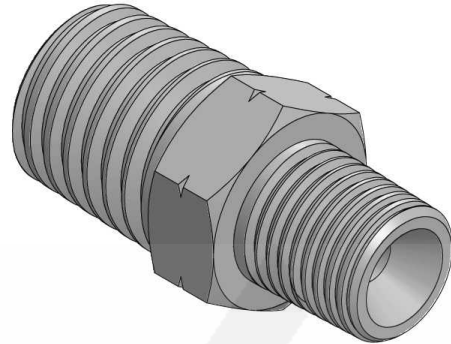
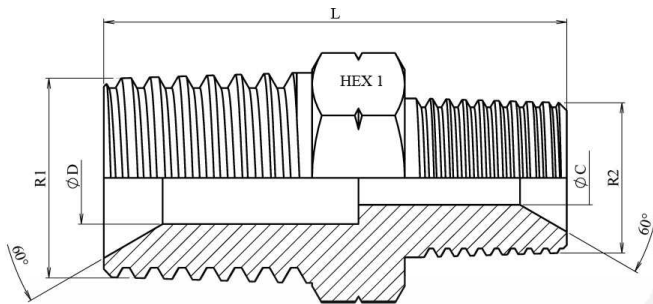


Adaptadores NPT

Uniones rectas macho-macho

Reductor macho - macho NPT

Acero al carbono



Artículo	R1	R2	L	HEX 1	ØC	ØD
HID358050402	1/4" NPT	1/8" NPT	30	14	3,5	6
HID358050602	3/8" NPT	1/8" NPT	31,5	19	3,5	8
HID358050604	3/8" NPT	1/4" NPT	34,5	19	6	8
HID358050804	1/2" NPT	1/4" NPT	39,5	22	6	11
HID358050806	1/2" NPT	3/8" NPT	40	22	8	11
HID358051204	3/4" NPT	1/4" NPT	43,5	27	5	17,5
HID358051206	3/4" NPT	3/8" NPT	42,5	27	8	17,5
HID358051208	3/4" NPT	1/2" NPT	46,5	27	11	16
HID358051612	1" NPT	1/2" NPT	52,5	36	11	22
HID358051612	1" NPT	3/4" NPT	54	36	16	22
HID358052016	1"1/4 NPT	1" NPT	60	46	22	28,5
HID358052420	1"1/2 NPT	1"1/4 NPT	64	50	28,5	33
HID358053224	2" NPT	1"1/2 NPT	68	60	33	46