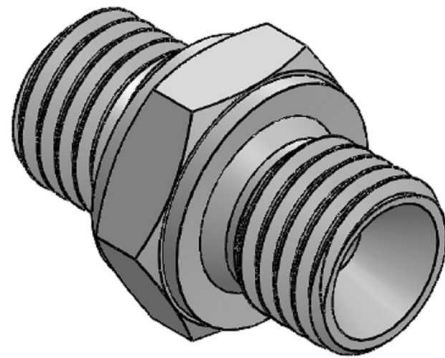
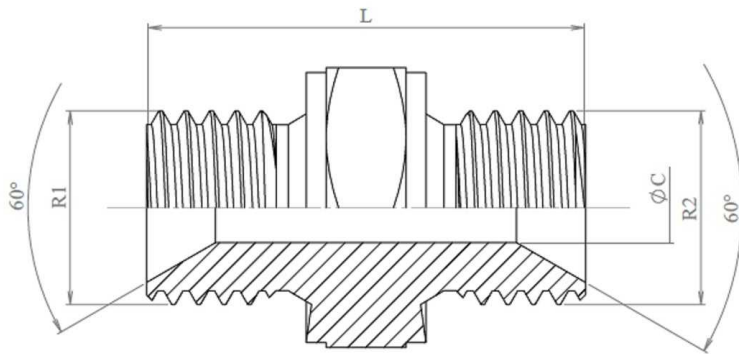


## Adaptador macho-macho BSP (60°)

Acero al carbono



Artículo	R1	R2	L	HEX 1	ØC
<b>HID521000202</b>	1/8" BSP	1/8" BSP	22	14	3,5
<b>HID521000404</b>	1/4" BSP	1/4" BSP	31	17	4,7
<b>HID521000404</b>	1/4" BSP	1/4" BSP	31	19	6
<b>HID521000606</b>	3/8" BSP	3/8" BSP	35	22	8
<b>HID521000808</b>	1/2" BSP	1/2" BSP	40	27	11
<b>HID521001010</b>	5/8" BSP	5/8" BSP	45	30	14
<b>HID521001212</b>	3/4" BSP	3/4" BSP	45	32	16
<b>HID521001616</b>	1" BSP	1" BSP	53	41	22
<b>HID521002020</b>	1"1/4 BSP	1"1/4 BSP	56	50	28,5
<b>HID521002424</b>	1"1/2 BSP	1"1/2 BSP	65	55	33
<b>HID521003232</b>	2" BSP	2" BSP	69	70	46
<b>HID521004040</b>	2" 1/2 BSP	2" 1/2 BSP	72	85	55
<b>HID521004848</b>	3" BSP	3" BSP	90	100	64