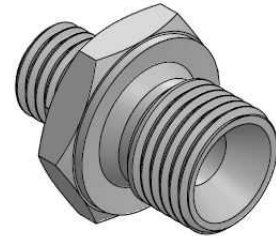
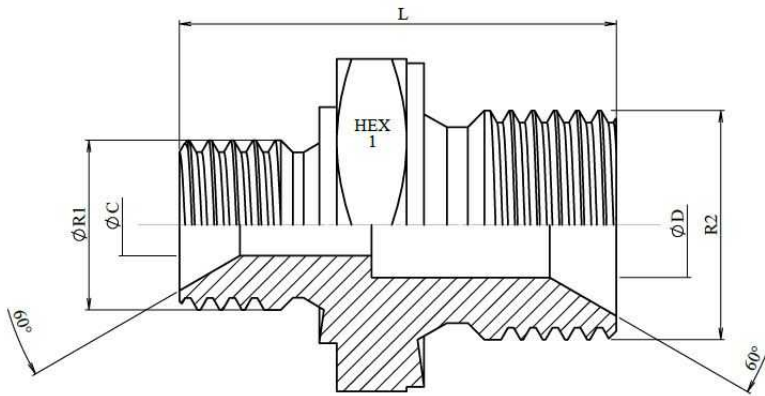


Reductor macho-macho BSP (60°)

Acero al carbono



Artículo	R1	R2	L	HEX 1	ØC	ØD
HID521000204	1/8" BSP	1/4" BSP	25	17	3,5	6
HID521000206	1/8" BSP	3/8" BSP	26	22	3,5	8
HID521000406	1/4" BSP	3/8" BSP	32	22	6	8
HID521000408	1/4" BSP	1/2" BSP	34	27	6	11
HID521000608	3/8" BSP	1/2" BSP	38	27	8	11
HID521000612	3/8" BSP	3/4" BSP	40	32	8	16
HID521000812	1/2" BSP	3/4" BSP	43,5	32	11	16
HID521000816	1/2" BSP	1" BSP	46,5	41	11	22
HID521001008	5/8" BSP	1/2" BSP	44	30	14	11
HID521001012	5/8" BSP	3/4" BSP	45	32	14	16
HID521001216	3/4" BSP	1" BSP	48	41	16	22
HID521001220	3/4" BSP	1"1/4" BSP	51	50	16	28,5
HID521001620	1" BSP	1"1/4" BSP	56	50	22	28,5
HID521001624	1" BSP	1"1/2" BSP	58	55	22	33
HID521002024	1"1/4" BSP	1"1/2" BSP	62	55	28,5	33
HID521002032	1"1/4" BSP	2" BSP	64	70	28,5	46
HID521002432	1"1/2" BSP	2" BSP	66	70	33	46
HID521003240	2" BSP	2" 1/2" BSP	72	85	46	55
HID521003248	2" BSP	3" BSP	85	100	46	64
HID521004048	2" 1/2" BSP	3" BSP	85	100	55	64