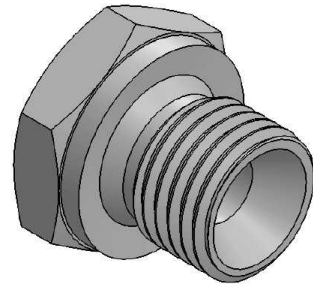
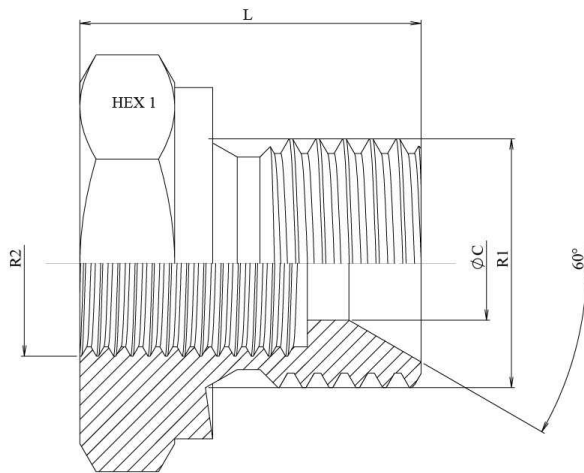


Tapón reductor macho (60°) - hembra fija BSP

Acero al carbono



Artículo	R1	R2	HEX 1	ØC	L
HID5250010402	M 1/4" BSP	H 1/8" BSP	19	6	18
HID5250010602	M 3/8" BSP	H 1/8" BSP	22	8	21
HID5250010604	M 3/8" BSP	H 1/4" BSP	22	8	21
HID5250010804	M 1/2" BSP	H 1/4" BSP	27	11	24
HID5250010806	M 1/2" BSP	H 3/8" BSP	27	11	24
HID5250011206	M 3/4" BSP	H 3/8" BSP	32	15,4	25,5
HID5250011208	M 3/4" BSP	H 1/2" BSP	32	16	26,5
HID5250011608	M 1" BSP	H 1/2" BSP	41	22	30
HID5250011612	M 1" BSP	H 3/4" BSP	41	22	31,5
HID5250012012	M 1"1/4 BSP	H 3/4" BSP	50	28,5	35
HID5250012016	M 1"1/4 BSP	H 1" BSP	50	28,5	33
HID5250012420	M 1"1/2 BSP	H 1"1/4 BSP	55	33,3	38
HID5250013220	M 2" BSP	H 1" 1/4 BSP	70	46	41
HID5250013224	M 2" BSP	H 1"1/2 BSP	70	46	41