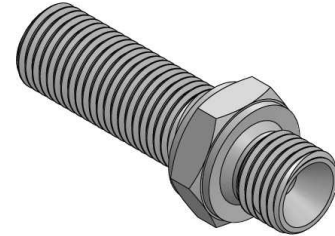
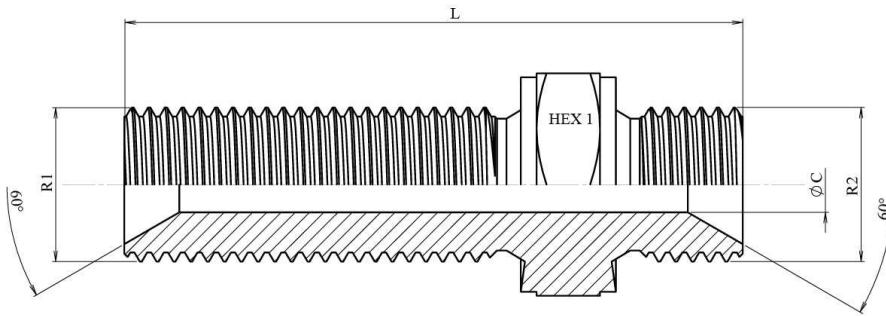


Adaptadores BSP , BSPT y Métricos

Uniones hembra y pasatabiques

## Pasatabiques sin tuerca BSP cono 60°

Acero al carbono



R1	R2	L	HEX 1	ØC
1/4" BSP	1/4" BSP	49	19	6
3/8" BSP	3/8" BSP	54	22	8
1/2" BSP	1/2" BSP	60,5	27	11
3/4" BSP	3/4" BSP	66	32	16
1" BSP	1" BSP	75	41	22
1"1/4 BSP	1"1/4 BSP	81	50	28,5
1"1/2 BSP	1"1/2 BSP	88	55	33