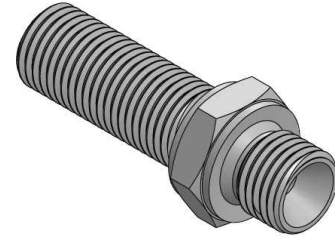
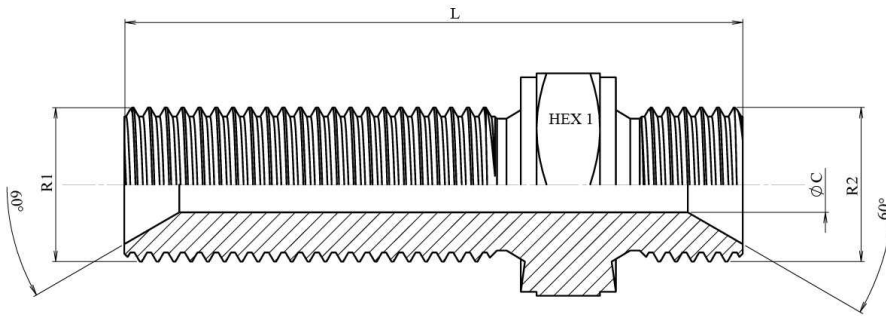


Adaptadores BSP , BSPT y Métricos

Uniones hembra y pasatabiques

Pasatabiques sin tuerca BSP cono 60°

Acero al carbono



Artículo	R1	R2	L	HEX 1	ØC
HID5250030004	1/4" BSP	1/4" BSP	49	19	6
HID5250030006	3/8" BSP	3/8" BSP	54	22	8
HID5250030008	1/2" BSP	1/2" BSP	60,5	27	11
HID5250030012	3/4" BSP	3/4" BSP	66	32	16
HID5250030016	1" BSP	1" BSP	75	41	22
HID5250030020	1"1/4 BSP	1"1/4 BSP	81	50	28,5
HID5250030024	1"1/2 BSP	1"1/2 BSP	88	55	33