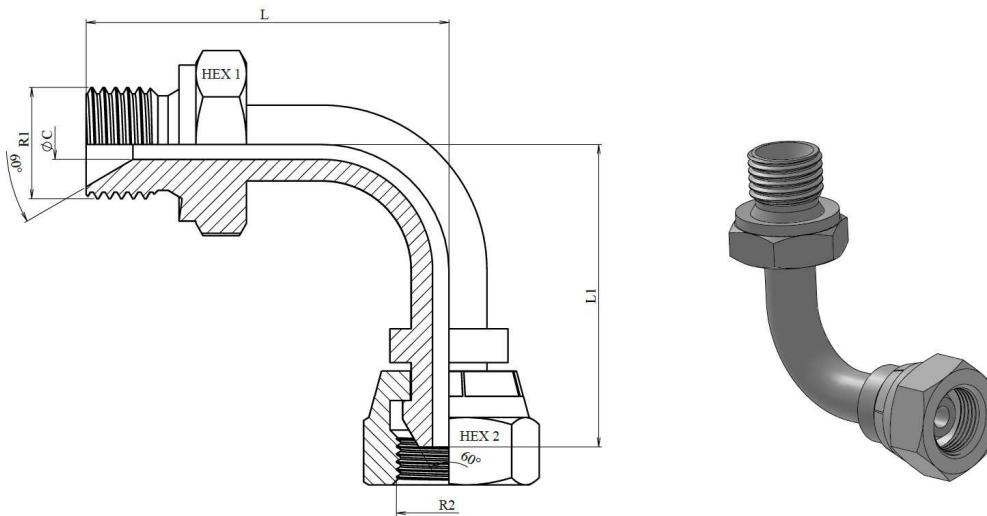


Codo 90° macho-hembra giratoria BSP (60°)

Acero al carbono



Artículo	R1	R2	L	L1	HEX 1	HEX 2	ØC
HID525900404	1/4" BSP	1/4" BSP	43	36	19	19	4
HID525900606	3/8" BSP	3/8" BSP	50	42	22	22	7
HID525900808	1/2" BSP	1/2" BSP	60	51	27	27	9,5
HID525901212	3/4" BSP	3/4" BSP	76	70	32	32	15
HID525901616	1" BSP	1" BSP	93	71	41	41	19
HID525902020	1"1/4 BSP	1"1/4 BSP	94	85	50	50	26
HID525902424	1"1/2 BSP	1"1/2 BSP	114	106	55	55	32
HID525903232	2" BSP	2" BSP	138	121	70	70	44