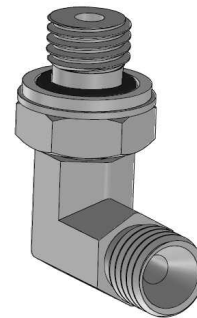
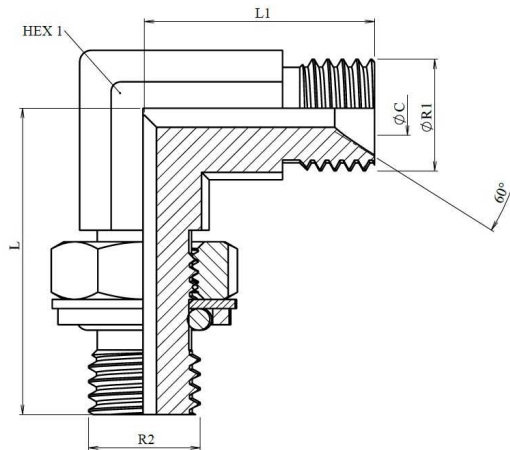


Codo 90° macho BSP (60°) -macho BSP regulable forja

Acero al carbono



Artículo	R1	R2	L	L1	HEX 1	ØC
HID5270090202	1/8" BSP	1/8" BSP	26	22,5	11	3,5
HID5270090404	1/4" BSP	1/4" BSP	35	26	14	6
HID5270090604	3/8" BSP	1/4" BSP	34	29	19	8
HID5270090606	3/8" BSP	3/8" BSP	36	30	17	8
HID5270090806	1/2" BSP	3/8" BSP	40	34	22	11
HID5270090808	1/2" BSP	1/2" BSP	43	35	22	11
HID5270091208	3/4" BSP	1/2" BSP	45	41	27	16
HID5270091212	3/4" BSP	3/4" BSP	50	41	27	16
HID5270091612	1" BSP	3/4" BSP	52	47	36	22
HID5270091616	1" BSP	1" BSP	54	47	36	22
HID5270092020	1"1/4" BSP	1"1/4" BSP	62,9	50,8	36	28,6
HID5270092424	1" 1/2" BSP	1" 1/2" BSP	60	61	47	33
HID5270093232	2" BSP	2" BSP	75.15	75,25	64	45,5