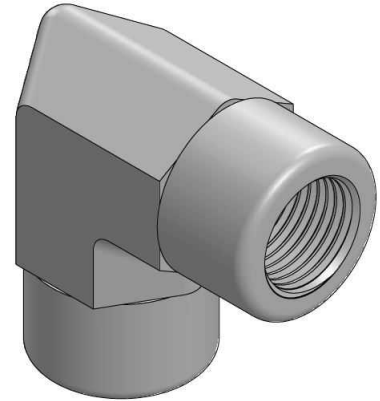
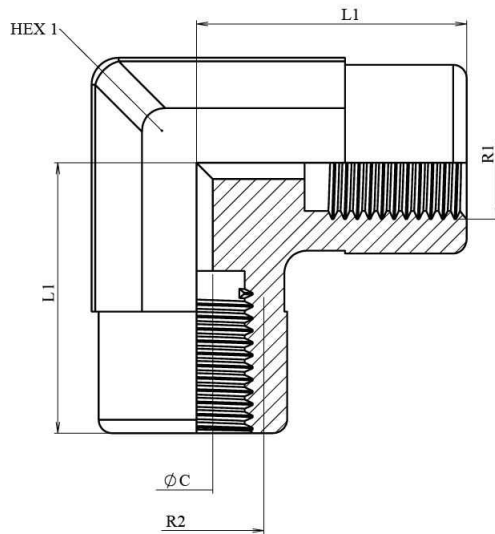


Codo 90° hembra fija-hembra fija BSP forja

Acero al carbono



Artículo	R1	R2	L1	HEX 1	ØC
HID531200202	1/8" BSP	1/8" BSP	17	14	8,7
HID531200404	1/4" BSP	1/4" BSP	26	17	8
HID531200606	3/8" BSP	3/8" BSP	30	19	12
HID531200808	1/2" BSP	1/2" BSP	35	24	17,5
HID531201212	3/4" BSP	3/4" BSP	42	27	16
HID531201616	1" BSP	1" BSP	47	36	25
HID531202020	1"1/4 BSP	1"1/4 BSP	43	48	39,3