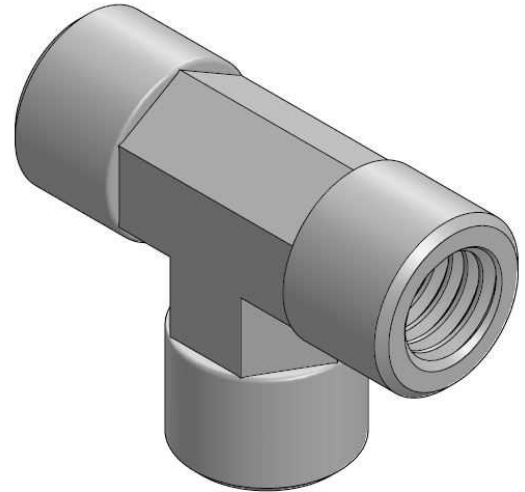
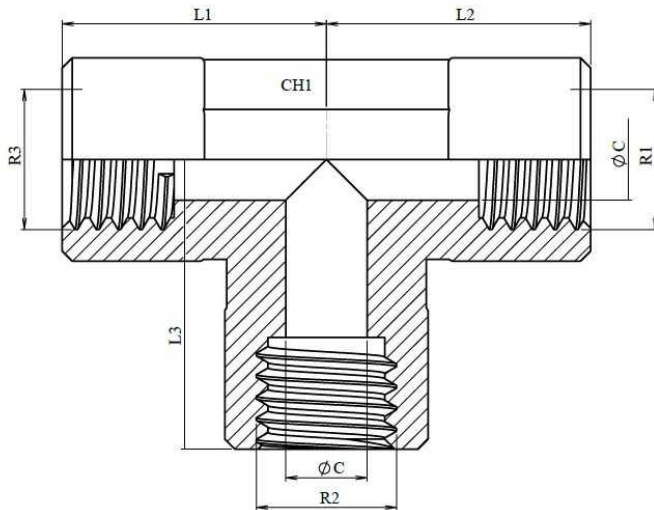


## Te hembra fija BSP forja

Acero al carbono



Artículo	R1	R2	R3	L1	L2	L3	CH1	ØC
<b>HID533020002</b>	1/8" BSP	1/8" BSP	1/8" BSP	20	20	20	14	8
<b>HID533020004</b>	1/4" BSP	1/4" BSP	1/4" BSP	22	22	22	17	10
<b>HID533020006</b>	3/8" BSP	3/8" BSP	3/8" BSP	30	30	30	19	12
<b>HID533020008</b>	1/2" BSP	1/2" BSP	1/2" BSP	35	35	35	24	17,5
<b>HID533020012</b>	3/4" BSP	3/4" BSP	3/4" BSP	45	45	45	27	16
<b>HID533020016</b>	1" BSP	1" BSP	1" BSP	47	47	47	41	25
<b>HID533020020</b>	1"1/4 BSP	1"1/4 BSP	1"1/4 BSP	48	48	48	48	39,5
<b>HID533020024</b>	1" 1/2 BSP	1" 1/2 BSP	1" 1/2 BSP	53	53	53	65	32
<b>HID533020032</b>	2" BSP	2" BSP	2" BSP	60	60	60	70	57