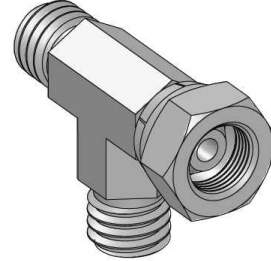
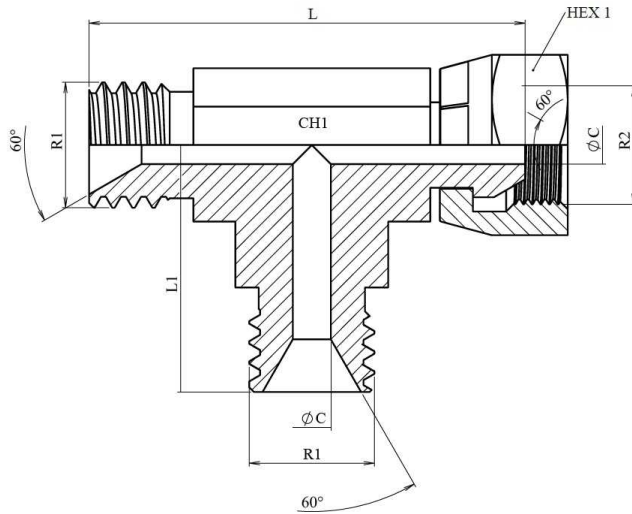


## Te macho-macho-hembra giratoria BSP (60°) forja

Acero al carbono



Artículo	R1	R2	R3	L	L1	HEX 1	CH1	ØC
<b>HID5340110002</b>	1/8" BSP	1/8" BSP	1/8" BSP	44,2	23	14	13,5	5
<b>HID5340110004</b>	1/4" BSP	1/4" BSP	1/4" BSP	46	26	19	14	4
<b>HID5340110006</b>	3/8" BSP	3/8" BSP	3/8" BSP	60	30	22	17	7
<b>HID5340110008</b>	1/2" BSP	1/2" BSP	1/2" BSP	70	35	27	22	9,5
<b>HID5340110012</b>	3/4" BSP	3/4" BSP	3/4" BSP	86	42	32	27	15
<b>HID5340110016</b>	1" BSP	1" BSP	1" BSP	96	47	41	36	19
<b>HID5340110020</b>	1"1/4 BSP	1"1/4 BSP	1"1/4 BSP	106	52	50	46	26
<b>HID5340110024</b>	1" 1/2 BSP	1" 1/2 BSP	1" 1/2 BSP	118	60	55	50	32
<b>HID5340110032</b>	2" BSP	2" BSP	2" BSP	130	69	70	63	46