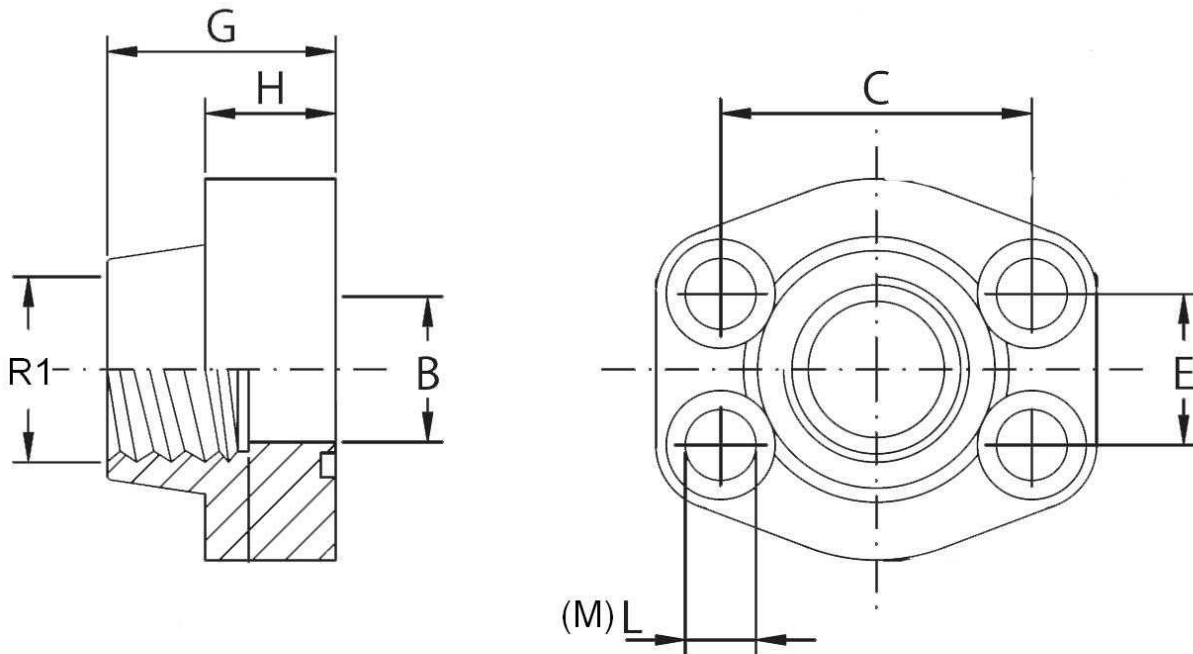


**Brida roscada hembra BSP**

Artículo	Serie	R1	Tamaño	Tornillo	O'Ring	OR 1	Junta PU	ØB	ØL	C	E	G	H	M
<b>MS3000108</b>	3000 PSI	1/2" BSP	1/2"	TB8X30	4075	18.64X3.53	JBR08	13	9	38,1	17,48	36	16	M8x30
<b>MS300010608</b>	3000 PSI	3/8" BSP	1/2"	TB8X30	4075	18.64X3.53	JBR08	13	9	38,1	17,48	36	16	M8x30
<b>MS3000112</b>	3000 PSI	3/4" BSP	3/4"	TB10X35	4100	24.99X3.53	JBR12	19	11	47,63	22,23	36	18	M10x35
<b>MS300010812</b>	3000 PSI	1/2" BSP	3/4"	TB10X35	4100	24.99X3.53	JBR12	13	11	47,63	22,23	36	18	M10x35
<b>MS3000116</b>	3000 PSI	1" BSP	1"	TB10X35	4131	32.92X3.53	JBR16	25	11	52,37	26,19	38	18	M10x35
<b>MS300011216</b>	3000 PSI	3/4" BSP	1"	TB10X35	4131	32.92X3.53	JBR16	19	11	52,37	26,19	35	21	M10x40
<b>MS3000120</b>	3000 PSI	1"1/4 BSP	1"1/4	TB10X40	4150	37.70X3.53	JBR20	32	11,5	58,72	30,18	40	21	M10x40
<b>MS300011620</b>	3000 PSI	1" BSP	1"1/4	TB10X40	4150	37.70X3.53	JBR20	25	11,5	58,72	30,18	42	25	M10x40
<b>MS3000124</b>	3000 PSI	1"1/2 BSP	1"1/2	TB12X45	4187	47.22X3.53	JBR24	38	13,5	69,85	35,71	45	25	M12x45
<b>MS300012024</b>	3000 PSI	1"1/4 BSP	1"1/2	TB12X45	4187	47.22X3.53	JBR24	32	13,5	69,85	35,71	45	27	M12x45
<b>MS3000132</b>	3000 PSI	2" BSP	2"	TB12X45	4225	56.74X3.53	JBR32	51	13,5	77,77	42,88	45	25	M12x45
<b>MS300012432</b>	3000 PSI	1"1/2 BSP	2"	TB12X45	4225	56.74X3.53	JBR32	38	13,5	77,77	42,88	45	25	M12x45
<b>MS3000140</b>	3000 PSI	2"1/2 BSP	2"1/2	TB12X45	4275			63	13,5	88,9	50,8	50	25	M12x45
<b>MS300013240</b>	3000 PSI	2" BSP	2"1/2	TB12X45	4275			51	13,5	88,9	50,8	50	25	M12x45
<b>MS300014048</b>	3000 PSI	2"1/2 BSP	3"	TB16X50	4337			63	17,5	106,38	61,93	50	27	M16x50
<b>MS3000148</b>	3000 PSI	3" BSP	3"	TB16X50	4275			73	17,5	106,38	61,93	50	27	M 16x50
<b>MS3000156</b>	3000 PSI	3"1/2 BSP	3"1/2	TB16X50	4387			89	17,5	120,65	69,85	48	27	M16x50
<b>MS300015648</b>	3000 PSI	3" BSP	3"1/2	TB16X50	4387			73	17,5	120,65	69,85	48	27	M16x50
<b>MS3000164</b>	3000 PSI	4" BSP	4"	TB16X50	4437			99	17,5	130,18	77,77	48	27	M16x50
<b>MS300015664</b>	3000 PSI	3"1/2 BSP	4"	TB16X50	4437			89	17,5	130,18	77,77	48	27	M16x50
<b>MS6000108</b>	6000 PSI	1/2" BSP	1/2"	TB8X30	4075	18.64X3.53	JBR08	13	9	40,49	18,24	36	16	M8x30
<b>MS600010608</b>	6000 PSI	3/8" BSP	1/2"	TB8X30	4075	18.64X3.53	JBR08	13	9	40,49	18,24	36	16	M8x30
<b>MS6000112</b>	6000 PSI	3/4" BSP	3/4"	TB10X40	4100	24.99X3.53	JBR12	19	11	50,8	23,8	35	21	M10x40
<b>MS600010812</b>	6000 PSI	1/2" BSP	3/4"	TB10X40	4100	24.99X3.53	JBR12	13	11	50,8	23,8	35	21	M10x40

**Brida roscada hembra BSP**

Artículo	Serie	R1	Tamaño	Tornillo	O'Ring	OR 1	Junta PU	ØB	ØL	C	E	G	H	M
<b>MS6000116</b>	6000 PSI	1" BSP	1"	TB12X45	4131	32.92X3.53	JBR16	25	13	57,15	27,76	42	25	M12x45
<b>MS600011216</b>	6000 PSI	3/4" BSP	1"	TB12X45	4131	32.92X3.53	JBR16	19	13	57,15	27,76	42	25	M12x45
<b>MS6000120</b>	6000 PSI	1"1/4 BSP	1"1/4	TB14X45	4150	37.70X3.53	JBR20	32	15	66,68	31,75	45	27	M14X45
<b>MS600011620</b>	6000 PSI	1" BSP	1"1/4	TB14X45	4150	37.70X3.53	JBR20	25	15	66,68	31,75	45	27	M14X45
<b>MS600012024</b>	6000 PSI	1"1/4 BSP	1"1/2	TB16X50	4187	47.22X3.53	JBR24	32	17	79,38	36,5	50	30	M16x50
<b>MS6000124</b>	6000 PSI	1"1/2 BSP	1"1/2	TB16X50	4187	47.22X3.53	JBR24	38	17	79,38	36,5	50	30	M16x50
<b>MS600032</b>	6000 PSI	2" BSP	2"	TB20X70	4225	56.74X3.53	JBR32	51	21	96,82	44,45	65	37	M20x70
<b>MS60002432</b>	6000 PSI	1"1/2 BSP	2"	TB20X70	4225	56.74X3.53	JBR32	38	21	96,82	44,45	65	37	M20x70