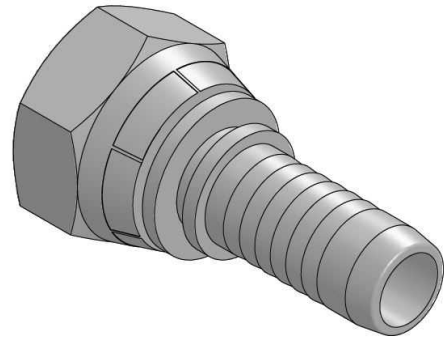
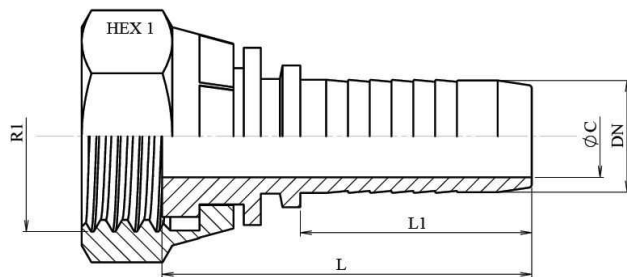


Tuerca loca recta BSP asiento plano

Acero Carbono 1.0737 (o equivalente)



Artículo	DN	R1	L	L1	HEX 1	ØC
RAPR10120404	1/4"	1/4" BSP	40,5	28	19	4
RAPR10120605	5/16"	3/8" BSP	42,8	28	22	5,5
RAPR10120606	3/8"	3/8" BSP	44,5	29,5	22	7
RAPR10120806	3/8"	1/2" BSP	47	29,5	27	7
RAPR10120808	1/2"	1/2" BSP	48,5	30,5	27	9,5
RAPR10121208	1/2"	3/4" BSP	50,5	30,5	32	9,5
RAPR10121212	3/4"	3/4" BSP	60,5	39	32	15
RAPR10121616	1"	1" BSP	69,5	47	41	19
RAPR10122020	1" 1/4	1" 1/4 BSP	80	54,5	50	26
RAPR10122424	1" 1/2	1" 1/2 BSP	83,5	58	55	32