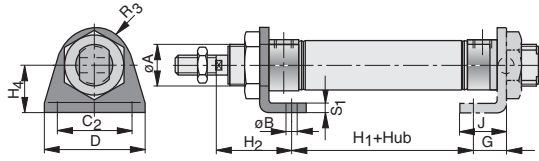


### Dimensions Mounting RA

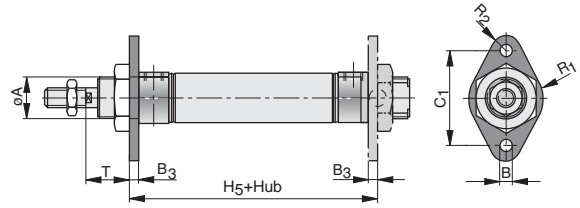


Material: steel, passivated

#### Dimension Table (mm) for Mounting RA

Cyl. Ø	ØA	ØB	C <sub>2</sub>	D	G	H <sub>1</sub> +stroke	H <sub>2</sub>	H <sub>4</sub>	J	R <sub>3</sub>	S <sub>1</sub>
10	12	4.5	25	35	11	30	24	16	16	10	3
12	16	5.5	32	42	14	29	32	20	20	13.5	4
16	16	5.5	32	42	14	36	32	20	20	13.5	4
20	22	6.6	40	54	17	44	36	25	25	18	5
25	22	6.6	40	54	17	45	40	25	25	18	5

### Dimensions Mounting RC

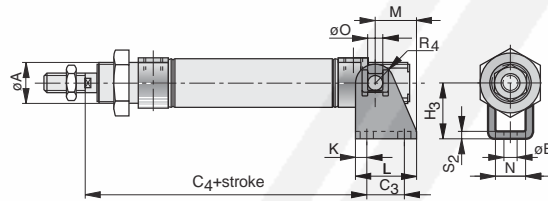


Material: steel, passivated

#### Dimension Table (mm) for Mounting RC

Cyl. Ø	ØA	ØB	B <sub>3</sub>	C <sub>1</sub>	H <sub>5</sub> +stroke	R <sub>1</sub>	R <sub>2</sub>	T
10	12	4.5	3	30	52	12.5	5	13
12	16	5.5	4	40	58	15	6	18
16	16	5.5	4	40	64	15	6	18
20	22	6.6	5	50	78	20	8	19
25	22	6.6	5	50	79	20	8	23

### Rear Trunnion Mounting RB

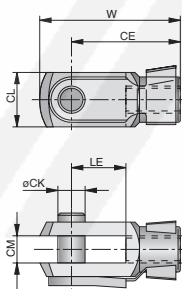


Material: steel, passivated

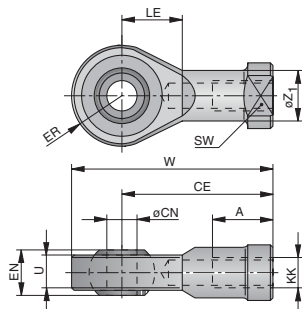
#### Dimension Table (mm)

Cyl. Ø	ØB	C <sub>3</sub>	C <sub>4</sub> +stroke	H <sub>3</sub>	K	L	M	N	ØØ	R <sub>4</sub>	S <sub>2</sub>
10	4.5	12.5	65	24	6.5	23	18	8.1	4	5	2.5
12	5.5	15	73	27	5	25	18	12.1	6	7	3
16	5.5	15	80	27	5	25	18	12.1	6	7	3
20	6.6	20	91	30	6	32	22	16.1	8	10	4
25	6.6	20	100	30	6	32	22	16.1	8	10	4

### Piston Rod Clevis to CETOP RP 102 P



### Piston Rod Eye to CETOP RP 103 P



#### Order Instructions, Dimension Table (mm), Weight

Order Instructions Type	Order No.	to Cyl.-Ø	CE	CK Ø	CL	CM	LE	KK	W	Weight (kg)
GK-M4	KZ 1413	10	16	4	8	4	8	M4	22	0.008
GK-M6	KY 6132	12, 16	24	6	12	6	12	M6	31	0.016
GK-M8	KY 6133	20	32	8	16	8	16	M8	42	0.038
GK-M10x1,25	KY 6135	25	40	10	20	10	20	M10x1.25	52	0.080

Material: galvanized steel

#### Order Instructions, Dimension Table (mm), Weight

Order Instructions Type	Order No.	to Cyl.-Ø	A	CE	CN <sup>H7</sup> Ø	EN	ER <sub>max</sub>	KK	LE	U	SW	W	Z <sub>1</sub> Ø	Weight (kg)
GA-M4	KX 6023	10	12	27	5	8	9	M4	9	6	8	35	9	0.021
GA-M6	KY 6144	12, 16	12	30	6	9	10	M6	11	6.75	11	40	10	0.025
GA-M8	KY 6145	20	16	36	8	12	12	M8	13	9	14	48	12.5	0.043
GA-M10 x 1,25	KY 6147	25	20	43	10	14	28	M10 x 1.25	15	10.5	17	57	15	0.072

Material: galvanized steel