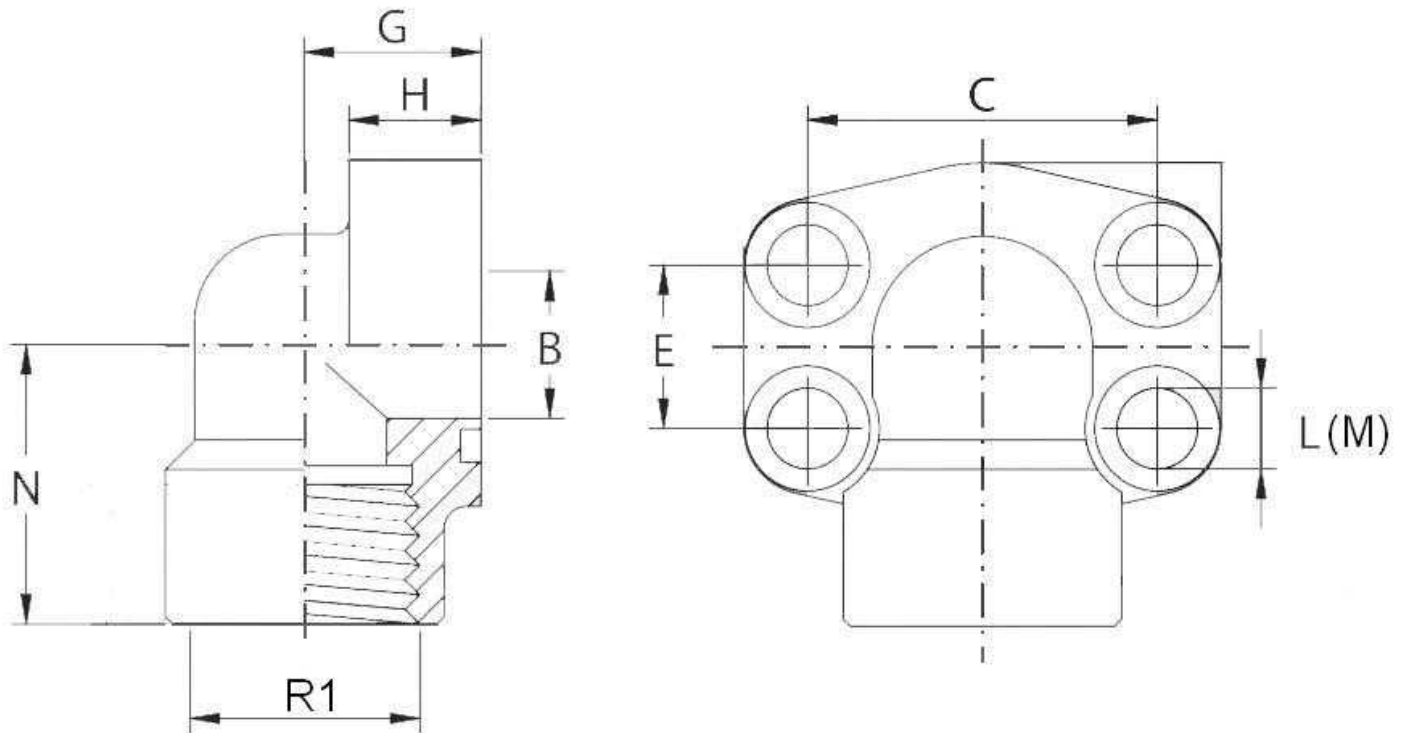


Brida codo 90° roscada hembra BSP

Acero Carbono



Artículo	Serie	R1	Tamaño	Tornillo	O'Ring	OR 1	Junta	ØB	ØL	C	E	G	H	M	N
RF30000808	3000 PSI	1/2" BSP	1/2"	TB8X30	4075	18.64X3.53	JBR08	13	9	38,1	17,48	20	16	M8x30	37
RF30000806	3000 PSI	3/8" BSP	1/2"	TB8X30	4075	18.64X3.53	JBR08	13	9	38,1	17,48	20	16	M8x30	37
RF30001212	3000 PSI	3/4" BSP	3/4"	TB10X35	4100	24.99X3.53	JBR12	19	11	47,63	22,23	24	18	M10x35	38
RF30001616	3000 PSI	1" BSP	1"	TB10X35	4131	32.92X3.53	JBR16	25	11	52,37	26,19	28	19	M10x35	43
RF30002020	3000 PSI	1"1/4 BSP	1"1/4"	TB10X40	4150	37.70X3.53	JBR20	32	11,5	58,72	30,18	34	21	M10x40	51
RF30002424	3000 PSI	1"1/2 BSP	1"1/2"	TB12X45	4187	47.22X3.53	JBR24	38	13,5	69,85	35,71	38	25	M12x45	56
RF30003232	3000 PSI	2" BSP	2"	TB12X45	4225	56.74X3.53	JBR32	51	13,5	77,77	42,88	42	25	M12x45	65
RF60000808	6000 PSI	1/2" BSP	1/2"	TB8X30	4075	18.64X3.53	JBR08	13	9	40,49	18,24	20	16	M8x30	37
RF60000806	6000 PSI	3/8" BSP	1/2"	TB8X30	4075	18.64X3.53	JBR08	13	9	40,49	18,24	20	16	M8x30	37
RF60001212	6000 PSI	3/4" BSP	3/4"	TB10X40	4100	24.99X3.53	JBR12	19	11	50,8	23,80	28	19	M10x35	43
RF60001616	6000 PSI	1" BSP	1"	TB12X45	4131	32.92X3.53	JBR16	25	13	57,15	27,76	34	21	M12x45	51
RF60002020	6000 PSI	1"1/4 BSP	1"1/4"	TB14X45	4150	37.70X3.53	JBR20	32	15 *	66,68	31,75	38	25	M14x45	56
RF60002424	6000 PSI	1"1/2 BSP	1"1/2"	TB16X50	4187	47.22X3.53	JBR24	38	17	79,38	36,50	42	25	M16x50	65