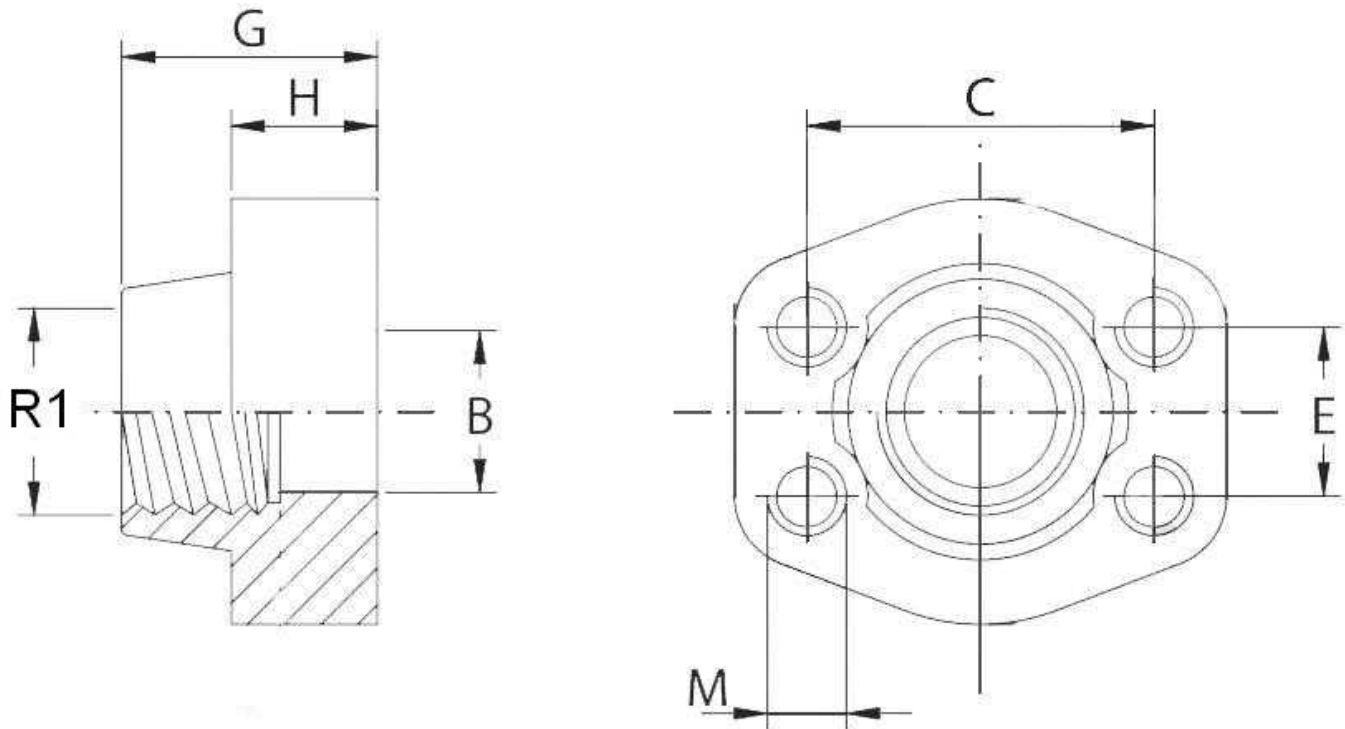


**Contrabrida roscada hembra BSP**

Acero Carbono



Artículo	Serie	R1	Tamaño	Tornillo	ØB	C	E	G	H	M
<b>RM11320808</b>	3000 PSI	1/2" BSP	1/2"	TB8X30	13	38,1	17,48	36	16	M8
<b>RM11320606</b>	3000 PSI	3/8" BSP	1/2"	TB8X30	13	38,1	17,48	36	16	M8
<b>RM11321212</b>	3000 PSI	3/4" BSP	3/4"	TB10X35	19	47,63	22,23	36	18	M10
<b>RM11321208</b>	3000 PSI	1/2" BSP	3/4"	TB10X35	13	47,63	22,23	36	18	M10
<b>RM11321616</b>	3000 PSI	1" BSP	1"	TB10X35	25	52,37	26,19	38	18	M10
<b>RM11321612</b>	3000 PSI	3/4" BSP	1"	TB10X35	19	52,37	26,19	35	21	M10
<b>RM11322020</b>	3000 PSI	1"1/4 BSP	1"1/4"	TB10X40	32	58,72	30,18	40	21	M10
<b>RM11322016</b>	3000 PSI	1" BSP	1"1/4"	TB10X40	25	58,72	30,18	42	25	M10
<b>RM11322424</b>	3000 PSI	1"1/2 BSP	1"1/2"	TB12X45	38	69,85	35,71	45	25	M12
<b>RM11322420</b>	3000 PSI	1"1/4 BSP	1"1/2"	TB12X45	32	69,85	35,71	45	27	M12
<b>RM11323232</b>	3000 PSI	2" BSP	2"	TB12X45	51	77,77	42,88	45	25	M12
<b>RM11323224</b>	3000 PSI	1"1/2 BSP	2"	TB12X45	38	77,77	42,88	45	25	M12
<b>RM11324040</b>	3000 PSI	2"1/2 BSP	2"1/2"	TB12X45	63	88,9	50,80	50	25	M12
<b>RM11324032</b>	3000 PSI	2" BSP	2"1/2"	TB12X45	51	88,9	50,80	50	25	M12
<b>RM11324848</b>	3000 PSI	3" BSP	3"	TB16X50	73	106,38	61,93	50	27	M16
<b>RM11324840</b>	3000 PSI	2"1/2 BSP	3"	TB16X50	63	106,38	61,93	50	27	M16
<b>RM11325656</b>	3000 PSI	3"1/2 BSP	3"1/2"	TB16X50	89	120,65	69,85	48	27	M16
<b>RM11325648</b>	3000 PSI	3" BSP	3"1/2"	TB16X50	73	120,65	69,85	48	27	M16
<b>RM11326464</b>	3000 PSI	4" BSP	4"	TB16X50	99	130,18	77,77	48	27	M16
<b>RM11326456</b>	3000 PSI	3"1/2 BSP	4"	TB16X50	89	130,18	77,77	48	27	M16
<b>RM11620808</b>	6000 PSI	1/2" BSP	1/2"	TB8X30	13	40,49	18,24	36	16	M8
<b>RM11620806</b>	6000 PSI	3/8" BSP	1/2"	TB8X30	13	40,49	18,24	36	16	M8
<b>RM11621212</b>	6000 PSI	3/4" BSP	3/4"	TB10X40	19	50,8	23,80	35	21	M10
<b>RM11621208</b>	6000 PSI	1/2" BSP	3/4"	TB10X40	13	50,8	23,80	35	21	M10

Bridas SAE

Bridas Roscadas

## Contrabrida roscada hembra BSP



Acero Carbono

Artículo	Serie	R1	Tamaño	Tornillo	ØB	C	E	G	H	M
<b>RM11621616</b>	6000 PSI	1" BSP	1"	TB12X45	25	57,15	27,76	42	25	M12
<b>RM11621612</b>	6000 PSI	3/4" BSP	1"	TB12X45	19	57,15	27,76	42	25	M12
<b>RM11622020</b>	6000 PSI	1"1/4 BSP	1"1/4	TB14X45	32	66,68	31,75	45	27	M14
<b>RM11622016</b>	6000 PSI	1" BSP	1"1/4	TB14X45	25	66,68	31,75	45	27	M14
<b>RM11622424</b>	6000 PSI	1"1/2 BSP	1"1/2	TB16X50	38	79,38	36,50	50	30	M16
<b>RM11622420</b>	6000 PSI	1"1/4 BSP	1"1/2	TB16X50	32	79,38	36,50	50	30	M16
<b>RM11623232</b>	6000 PSI	2" BSP	2"	TB20X70	51	96,82	44,45	65	37	M20
<b>RM11623224</b>	6000 PSI	1"1/2 BSP	2"	TB20X70	38	96,82	44,45	65	37	M20